

IDS-7200HQHI-M1/S SERIES TURBO ACUSENSE DVR

Key Feature

- Deep learning-based behavior analysis or facial detection
- H.265 Pro+/H.265 Pro/H.265 video compression
- HDTV/VI/AHD/CVI/CVBS/IP video inputs
- Up to 6/12/24-ch IP camera inputs (up to 6 MP)
- Max. 800 m for 1080p and 1,200 m for 720p HDTV signal transmission
- Up to 10 TB capacity per HDD



Compression and Recording

- H.265 Pro+ video compression improves encoding efficiency, and reduces data storage costs
- Full channel recording at up to 1080p resolution

Storage and Playback

- Smart search for efficient playback
- Support the third party cloud storage (Dropbox/Google Drive/Microsoft OneDrive)

Smart Function

- Deep learning-based behavior analysis (line crossing and intrusion detection) or facial detection
- Support multiple VCA (Video Content Analytics) events for both analog and smart IP cameras

Network & Ethernet Access

- Hik-Connect & DDNS (Dynamic Domain Name System) for easy network management
- Output bandwidth limit configurable



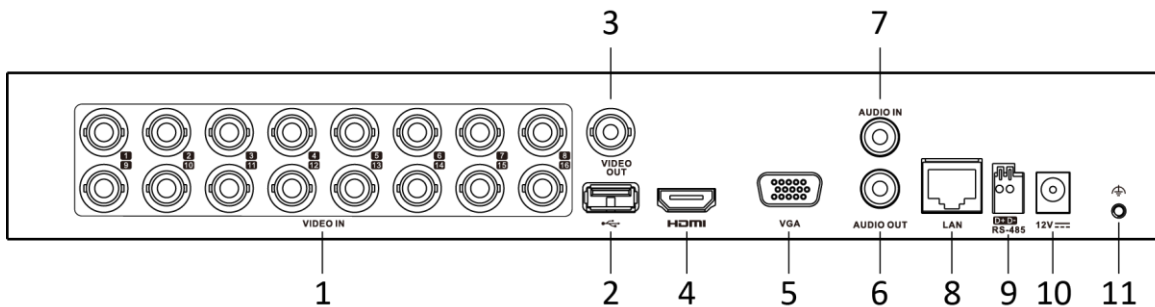
Specification

Model	iDS-7204HQHI-M1/S	iDS-7208HQHI-M1/S	iDS-7216HQHI-M1/S
Facial Detection¹			
Facial detection and capture	1-ch human face capture (HD analog camera)		
Human/Vehicle Analysis¹			
False alarm reduction	Up to 2-ch	Up to 4-ch	
Recording			
Video compression	H.265 Pro+/H.265 Pro/H.265/H.264+/H.264		
Encoding resolution	Main stream: When 1080p lite mode not enabled: For 4 MP stream access: 4 MP lite@15 fps; 1080p lite/720p/WD1/4CIF/VGA/CIF@25 fps (P)/30 fps (N) For 3 MP stream access: 3 MP/1080p/720p/VGA/WD1/4CIF/CIF@15 fps For 1080p stream access: 1080p/720p@15 fps; VGA/WD1/4CIF/CIF@25 fps (P)/30 fps (N) For 720p stream access: 720p/VGA/WD1/4CIF/CIF@25 fps (P)/30 fps (N) When 1080p Lite mode enabled: 4 MP lite/3 MP@15 fps; 1080p lite/720p lite/VGA/WD1/4CIF/CIF@25 fps (P)/30 fps (N)		
	Sub-stream: WD1/4CIF@12 fps; CIF@25 fps (P)/30 fps (N)		
Video bitrate	32 Kbps to 6 Mbps		
Dual stream	Support		
Stream type	Video, Video & Audio		
Audio compression	G.711u		
Audio bitrate	64 Kbps		
Video and Audio			
IP video input	1-ch (up to 5-ch)	2-ch (up to 10-ch)	2-ch (up to 18-ch)
	IP enhanced mode on: 2-ch (up to 6-ch), each up to 4 Mbps	IP enhanced mode on: 4-ch (up to 12-ch), each up to 4 Mbps	IP enhanced mode on: 8-ch (up to 24-ch), each up to 4 Mbps
	Up to 6 MP resolution Support H.265+/H.265/H.264+/H.264 IP cameras		
Analog video input	4-ch	8-ch	16-ch
HDTV input	BNC interface (1.0 Vp-p, 75 Ω), supporting coaxitron connection 3 MP, 1080p30, 1080p@25 fps, 720p@60 fps, 720p@50 fps, 720p@30 fps, 720p@25 fps *: The 3 MP signal input is only available for channel 1 of iDS-7204HQHI-M1/S, for channel 1/2 of iDS-7208HQHI-M1/S, and for channel 1/2/3/4 of iDS-7216HQHI-M1/S.		
AHD input	4 MP, 1080p@25 fps, 1080p@30 fps, 720p@25 fps, 720p@30 fps		
HDCVI input	4 MP, 1080p@25 fps, 1080p@30 fps, 720p@25 fps, 720p@30 fps		
CVBS input	PAL/NTSC		
CVBS output	1-ch, BNC (1.0 Vp-p, 75 Ω), resolution: PAL: 704 × 576, NTSC: 704 × 480		
HDMI/VGA output	1-ch, 1920 × 1080/60Hz, 1280 × 1024/60Hz, 1280 × 720/60Hz,		

	1024 × 768/60Hz, HDMI/VGA simultaneous output		
Audio input	1-ch, RCA (2.0 Vp-p, 1 KΩ)		
Audio output	1-ch, RCA (Linear, 1 KΩ)		
Two-way audio	1-ch, RCA (2.0 Vp-p, 1 KΩ) (using the first audio input)		
Synchronous playback	4-ch	8-ch	16-ch
Network			
Remote connection	32	64	128
Network protocol	TCP/IP, PPPoE, DHCP, Hik-Connect, DNS, DDNS, NTP, SADP, NFS, iSCSI, UPnP™, HTTPS, ONVIF		
Network interface	1, RJ45 10M/100M self-adaptive Ethernet interface		1, RJ45 10M/100M/1000M self-adaptive Ethernet interface
Auxiliary interface			
SATA	1 SATA interface, up to 10 TB capacity for each disk		
Serial interface	RS-485 (half-duplex)		
USB interface	Front panel: 1 × USB 2.0; Rear panel: 1 × USB 2.0		Front panel: 1 × USB 2.0; Rear panel: 1 × USB 3.0
Alarm in/out	N/A		
General			
Power supply	12 VDC		
Consumption (without HDD)	≤ 18 W		≤ 24 W
Working temperature	-10 °C to 55 °C (14 °F to 131 °F)		
Working humidity	10% to 90%		
Dimension (W × D × H)	315 × 242 × 45 mm (12.4 × 9.5 × 1.8 inch)		
Weight (without HDD)	≤ 1.16 kg (2.6 lb)	≤ 1.78 kg (3.9 lb)	≤ 2 kg (4.4 lb)

1: Facial detection and human/vehicle analysis cannot be enabled at the same time. Enable one function will make the other one unavailable.

Physical Interface



*: The rear panel of iDS-7204HQHI-M1/S provides 4 video input interfaces. The rear panel of iDS-7208HQHI-M1/S provides 8 video input interfaces.

No.	Description	No.	Description
1	VIDEO IN	7	AUDIO IN, RCA connector
2	USB interface	8	LAN network interface
3	VIDEO OUT	9	RS-485 serial interface
4	HDMI interface	10	12 VDC power input
5	VGA interface	11	GND
6	AUDIO OUT, RCA connector		

Available Model

iDS-7204HQHI-M1/S, iDS-7208HQHI-M1/S, iDS-7216HQHI-M1/S

Distributed by



Headquarters

No.555 Qianmo Road, Binjiang District,
Hangzhou 310051, China
T +86-571-8807-5998
overseasbusiness@hikvision.com

Hikvision USA
T +1-909-895-0400
sales.usa@hikvision.com

Hikvision Australia
T +61-2-8599-4233
salesau@hikvision.com

Hikvision India
T +91-22-28469900
sales@pramahikvision.com

Hikvision Canada
T +1-866-200-6690
sales.canada@hikvision.com

Hikvision Thailand
T +662-275-9949
sales.thailand@hikvision.com

Hikvision Europe
T +31-23-5542770
sales.eu@hikvision.com

Hikvision Italy
T +39-0438-6902
info.it@hikvision.com

Hikvision Brazil
T +55 11 3318-0050
Latam.support@hikvision.com

Hikvision Turkey
T +90 (216)521 7070- 7074
sales.tr@hikvision.com

Hikvision Malaysia
T +601-7652-2413
sales.my@hikvision.com

Hikvision UK & Ireland
T +01628-902140
sales.uk@hikvision.com

Hikvision South Africa
Tel: +27 (10) 0351172
sale.africa@hikvision.com

Hikvision France
T +33(0)1-85-330-450
info.fr@hikvision.com

Hikvision Kazakhstan
T +7-727-9730667
nikia.panfilov@hikvision.ru

Hikvision Vietnam
T +84-974270888
sales.vt@hikvision.com

Hikvision UAE
T +971-4-4432090
salesme@hikvision.com

Hikvision Singapore
T +65-6684-4718
sg@hikvision.com

Hikvision Spain
T +34-91-737-16-55
info.es@hikvision.com

Hikvision Tashkent
T +99-87-1238-9438
uzb@hikvision.ru

Hikvision Hong Kong
T +852-2151-1761
info.hk@hikvision.com

Hikvision Russia
T +7-495-669-67-99
saleru@hikvision.com

Hikvision Korea
T +82-(0)31-731-8817
sales.korea@hikvision.com

Hikvision Poland
T +48-22-460-01-50
info.pl@hikvision.com

Hikvision Indonesia
T +62-21-2933759
Sales.Indonesia@hikvision.com

Hikvision Colombia
sales.colombia@hikvision.com